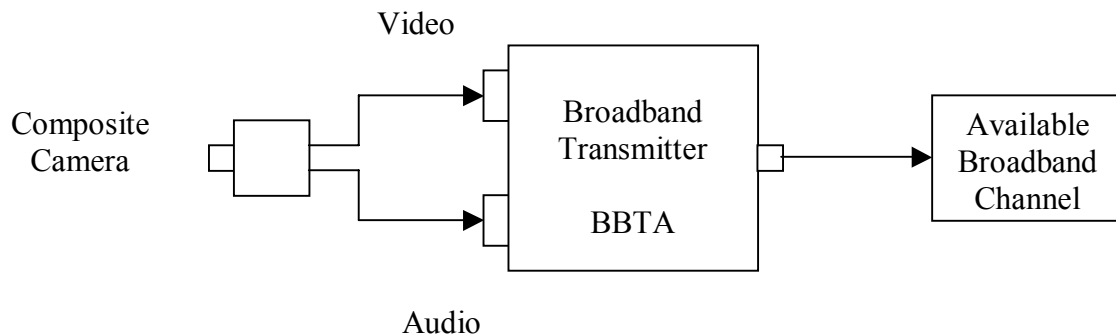


## **BROADBAND TRANSMITTER**

### **BBT SERIES SINGLE CHANNEL**

The BBTA and BBTB series broadband transmitter provides true broadcast quality video and audio transmission over a single coax cable. This unit can be programmed to output any one of 63 VHF or UHF carrier frequencies. The BBT is designed for real-time video modulation and is 100% compatible with the *ATE's* entire broadband product line.



### ***Features & Benefits***

- |                                   |   |
|-----------------------------------|---|
| Easy to read Digital Display      | Direct connect or multi-drop installation |
| Synthesizer based channel control | Touch button channel selection            |
| Touch button channel memory save  | Broadcast quality video and audio **      |

**Specifications:**      Input: Video (RCA), Audio (RCA)\*\*      Output: 1 RF Port (BNC)  
Power: 15 VDC      Pass Through: 1 RF Port (BNC)

\*\* audio on BBTA model only