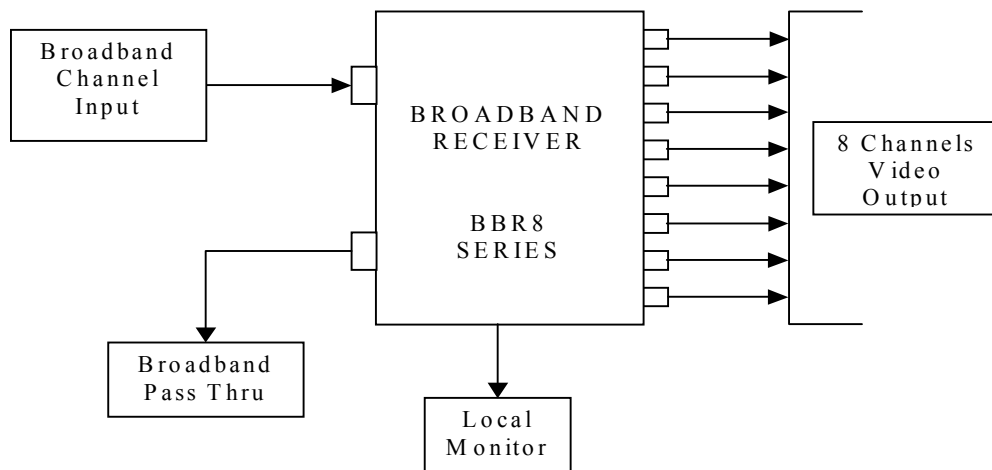


BROADBAND RECEIVER

BBR8 BBR16 SERIES MULTI-CHANNEL

The BBR8 and BBR16 series broadband receivers are *ATE's* solution for real-time multi-channel reception of broadcast carriers generated by our broadband transmitter product group. These receivers include the same high quality features such as channel scanning, touch button programming, on-board diagnostics, and RF channel pass through. The BBR features superior channel-to-channel isolation eliminating adjacent channels interference.



Features & Benefits

Microprocessor controlled	Direct connect or multi-drop installation
Synthesizer based channel control	Touch button channel selection
Easy to read Digital Display	Buffered video & audio output
Built-in self test	Broadcast video and audio **

Specifications: Input: 1 RF Port (BNC) Output: Video & Audio, 8 or 16 Ports (RCA)
Power: 15 VDC Pass Through: 1 RF Port (BNC)

** audio on BBR8A & BBR16A models only